

DTG SERIES

Digital Torque Gauge

The CHATILLON® DTG Series digital torque gauge features a remote sensor combined with a rapid 4500 Hz sampling rate for precision torque measurement. Ideal for a wide variety of torque measurement applications from measuring packaging cap removal to wrench calibration. Their rugged, all-metal construction, lightweight design and rechargeable battery make them ideal for on-site production environments or the lab. Gauges have bi-directional RS232 serial data communications that allows full data transmission or peripheral control of gauge functions. Automatically captures initial peak and maximum torque for either direction. An analog output is provided for plotting curves. Users can select the required units of measurement in lbs-in, N-cm, N-m, or oz-in.

Gauges come with battery charger, chuck key, 1/4 in (6 mm) hex blade, two square drives and carrying case.

FEATURES

- Automatic Torque Measurement
 - Initial Peak
 - Maximum Torque
 - Clockwise or Counter-clockwise Direction
- Rugged All-Metal Housing
- Capacities in oz-in, lbs-in, N-m, N-cm
- Large LCD Display with Tactile Membrane Keypad
- Bi-directional RS232 Serial Data Communications

SPECIFICATIONS

Accuracy:	±0.5% of Full Scale ±1 LSC
Selectable Units:	Oz-in, lbs-in, N-m, N-cm
Overload Capacity:	110% of rated capacity
Display:	LCD, 4-1/2 characters
Sampling:	4500Hz
Power:	AC Adapter, NiCd Battery Pack
Accessories:	Carrying Case, 1/4" hex drive, hex drive sockets, chuck key, charger
Warranty:	1 Years



DTG measuring fishing reel torque

SPECIFICATION
SS-FM-3420-1200
December 2000



Pharmaceuticals



Electronics



Packaging

INTERNET

www.force-gauge.net

AMETEK and CHATILLON are registered trademarks of AMETEK, Inc.
LLOYD INSTRUMENTS is a trademark of AMETEK, Inc.

Copyright 2000, by AMETEK, Inc.
Printed in U.S.A

Chatillon®

A registered trademark of AMETEK, Inc.

ORDERING INFORMATION

Model	Capacity
DTG-3	50 oz-in x 0.02 oz-in 0.35 N-m x 0.002 N-m 35 N-cm x 0.02 N-cm
DTG-12	12 lbs-in x 0.01 lbs-in 1.25 N-m x 0.001 N-m 125 N-cm x 0.1 N-cm
DTG-50	50 lbs-in x 0.02 lbs-in 5 N-m x 0.02 N-m 500 N-cm x 0.2 N-cm
DTG-100	100 lbs-in x 0.05 lbs-in 10 N-m x 0.01 N-m 1000 N-cm x 1 N-cm

Please add suffix "-220V" to the Model number when the instrument is required to operate using 220V power. Example: DTG-3-220V.

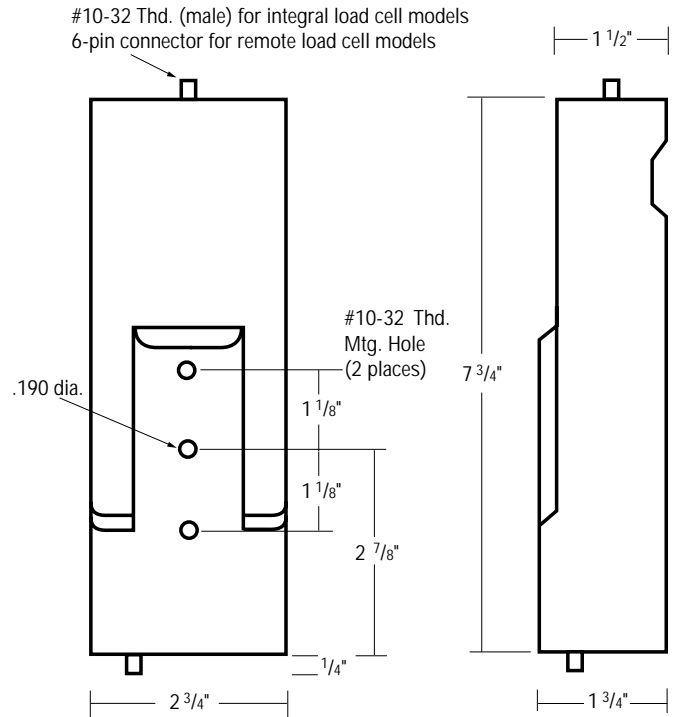
STANDARD ACCESSORIES

Part No.

Carrying Case	SPK-DFGS-032
Hex Key	SPK-FMG-015
Battery Charger, 115V	SPK-DFGS-028A
Battery Charger, 220V	SPK-DFGS-028B
Drive Socket, 1/4 Hex to 1/4 Drive	SPK-DTG-037
Drive Socket, 1/4 Hex to 3/8 Drive	SPK-DTG-038
Drive Socket, 1/4 Hex to 1/2 Drive	SPK-DTG-039
Hex Blade, 1/4	SPK-DTG-040

Request document PS-FM-3420 for a complete Parts List.

DIMENSIONS



AMETEK

Itin Scale Co., Inc.
431 Avenue U
Brooklyn, NY 11223
PHONE: 718-336-5900
FAX: 718-627-1313
EMAIL: sales@itinscales.com
www.itinscales.com